

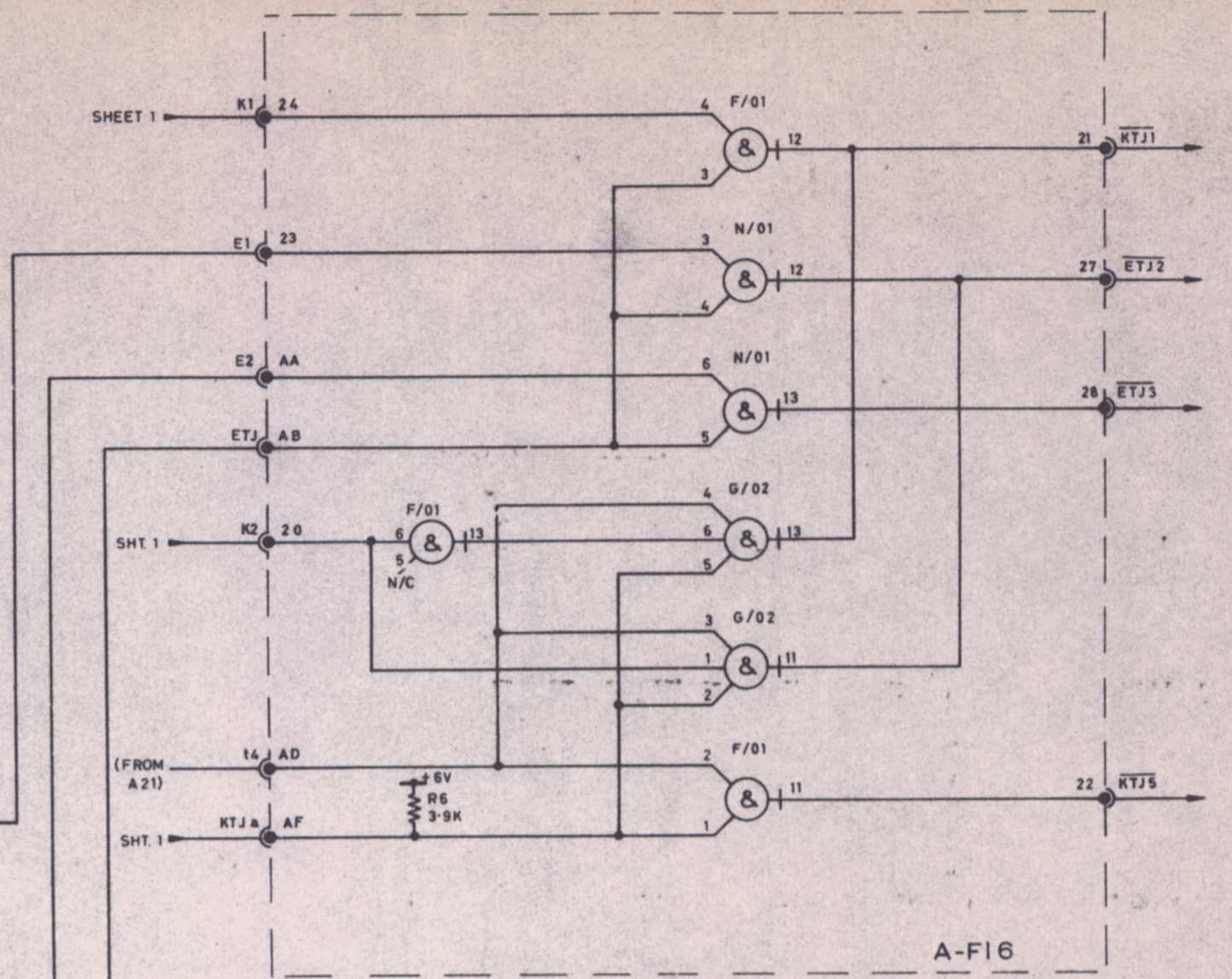
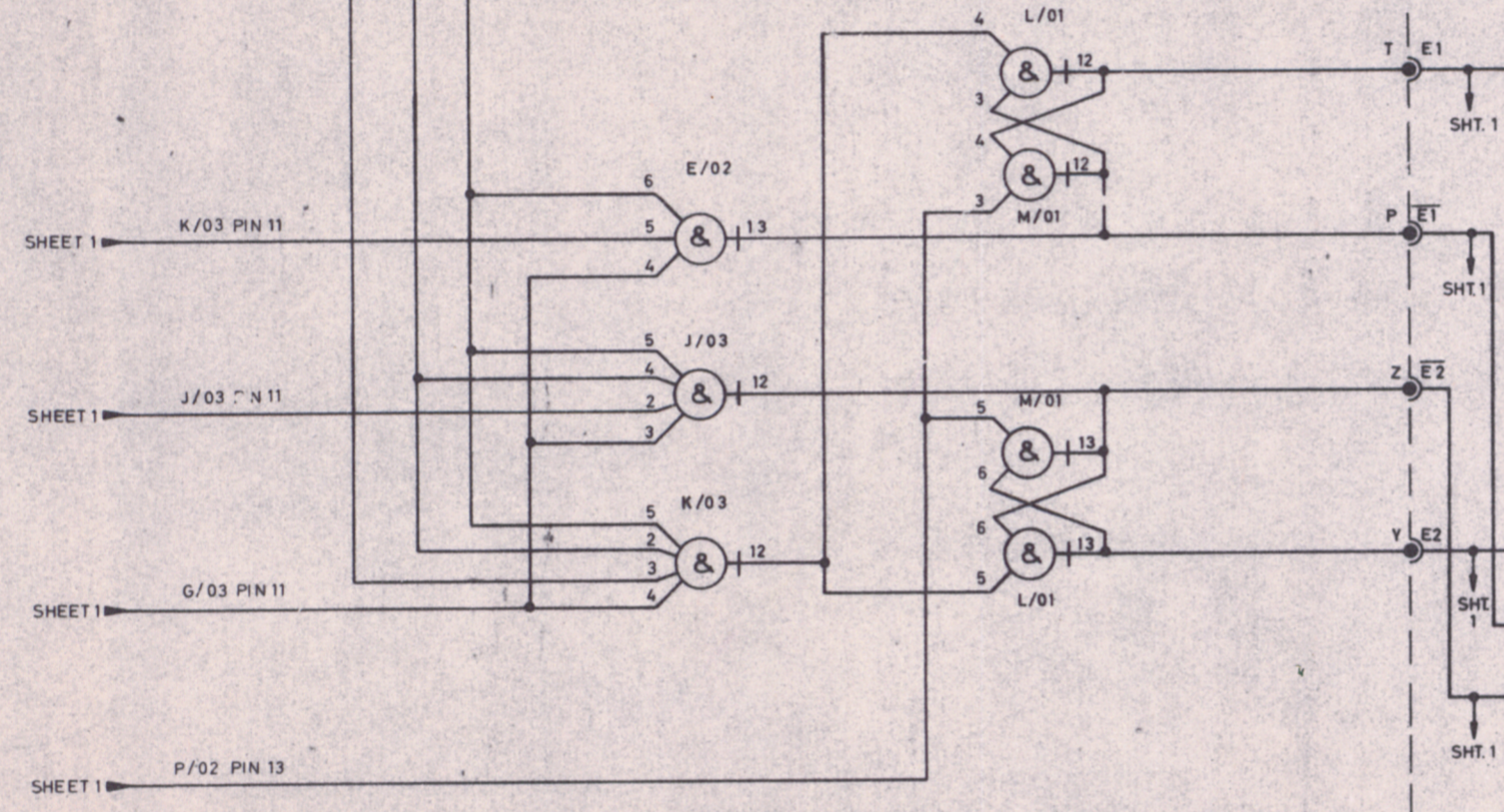
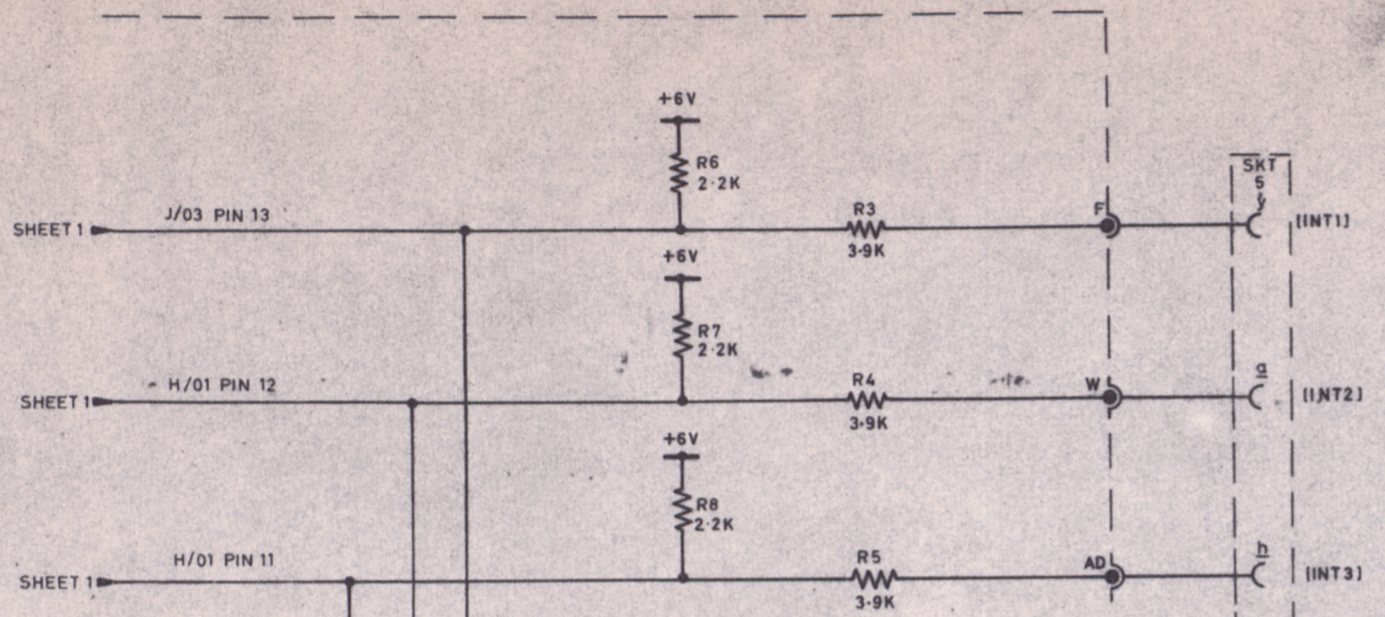
322 D 8070

THIRD ANGLE PROJECTION

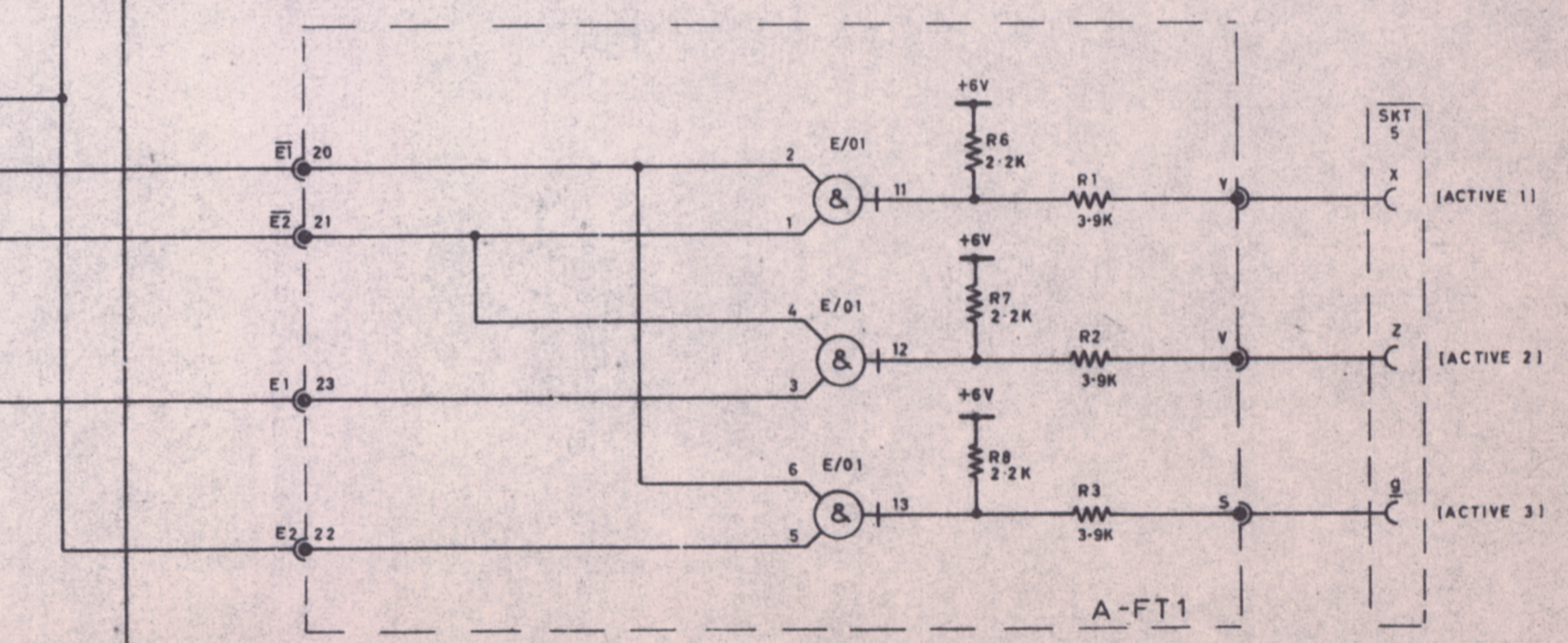
DIMENSIONS IN INCHES UNLESS OTHERWISE STATED

DO NOT SCALE DRAWING

USED ON A720J



SETTING PULSES TO APPROPRIATE BITS OF THE J REGISTER



TO BE READ IN CONJUNCTION WITH 322 A 7191

920 B COMPUTER CONTROL AND INTERRUPT OVERALL LOGIC

SHT 2 OF 2

A18

LATEST M.I. INCORPORATED M.I. 2983 2998

ISSUE No.	1	MATERIAL		FINISH		ELLIOTT BROTHERS (LONDON) LTD	
ALTM. No.	1401	DRAWN		CHECKED		TITLE	
DATE	4.1966	J.S.B.		C.S.886		920B COMPUTER CONTROL AND INTERRUPT OVERALL LOGIC	
INITIALS	WVP	APPROVED		DATE		SCALE SHT 2 OF 2	
PARTS LIST No.		27.8.66				DRAWING No. 322 D 8070	